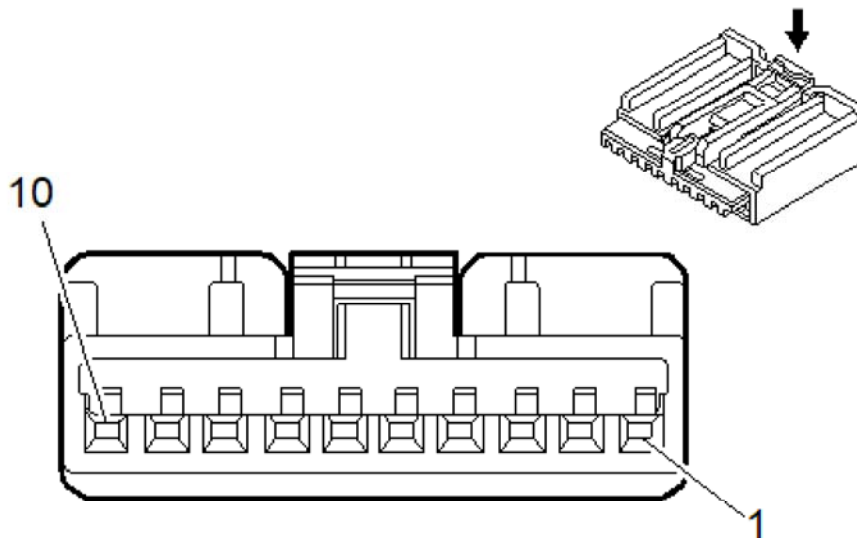


P17 Info Display Module X1



Connector Part Information

- Harness Type: Instrument Panel
- OEM Connector: AIT2PB-10-1AK
- Service Connector: 13576634
- Description: 10-Way F 0.64 Kaizen Series (BK)

Terminal Part Information

Terminal Type ID	Terminated Lead	Diagnostic Test Probe	Terminal Removal Tool	Service Terminal	Tray Name	Core Crimp	Insulation Crimp
I	13575867	J-35616-64B (LT BU)	J-38125-215A	SAIT-A03T-M064	Yazaki 14	P	P

P17 Info Display Module X1

Pin	Size	Color	Circuit	Function	Terminal Type ID	Option
1	0.5	RD/YE	5840	Battery Positive Voltage	I	—

Pin	Size	Color	Circuit	Function	Terminal Type ID	Option
3	0.5	L-GN	5060	Low Speed GMLAN Serial Data	I	—
4	—	—	—	Not Occupied	—	—
5	0.35	L-GN/L-BU	7532	Local Interconnect Network Serial Data Bus 10	I	—
6	—	—	—	Not Occupied	—	—
7	0.35	L-GN/BK	4117	Local Interconnect Network Serial Data Bus 17	I	—
8	0.35	L-GN/WH	7527	Local Interconnect Network Serial Data Bus 5	I	—
9	0.35	L-GN/YE	7531	Local Interconnect Network Serial Data Bus 9	I	—
10	0.5	BK/WH	1451	Signal Ground	I	—